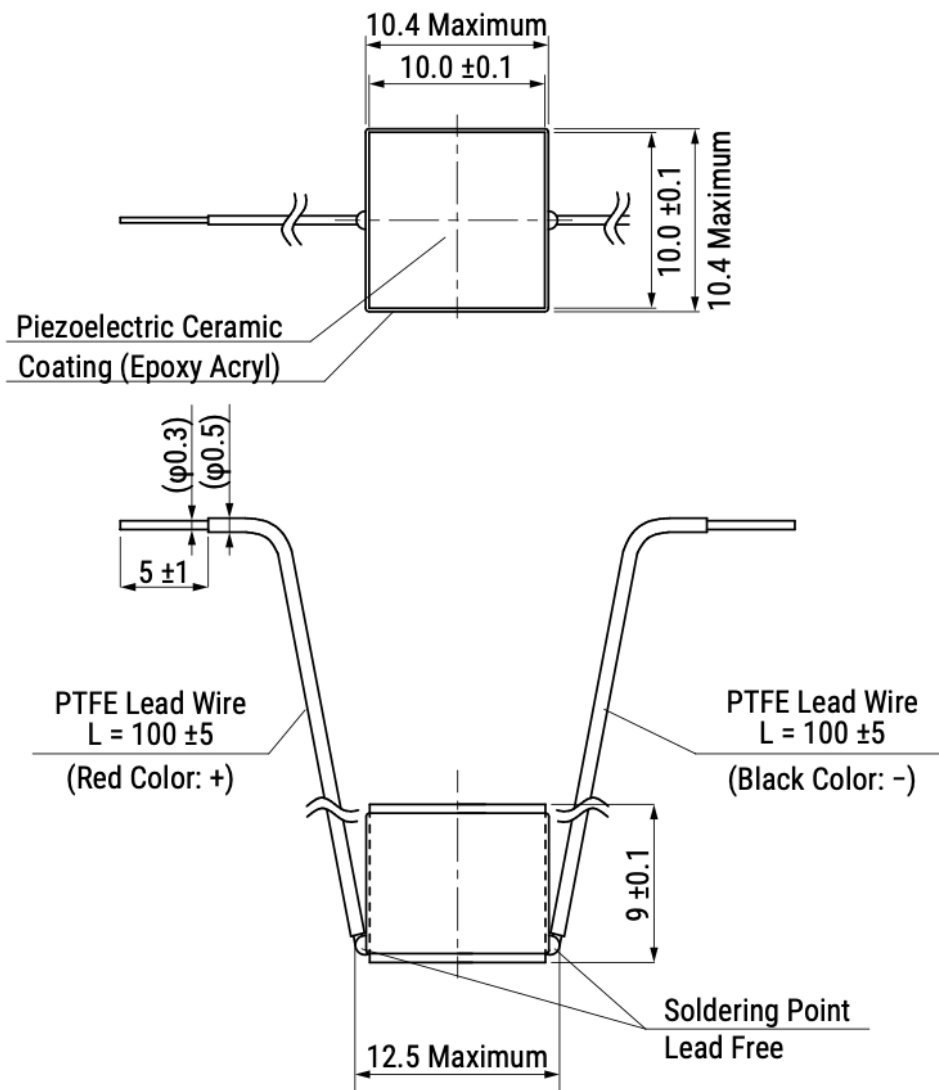


PB10.9



PB10.18

